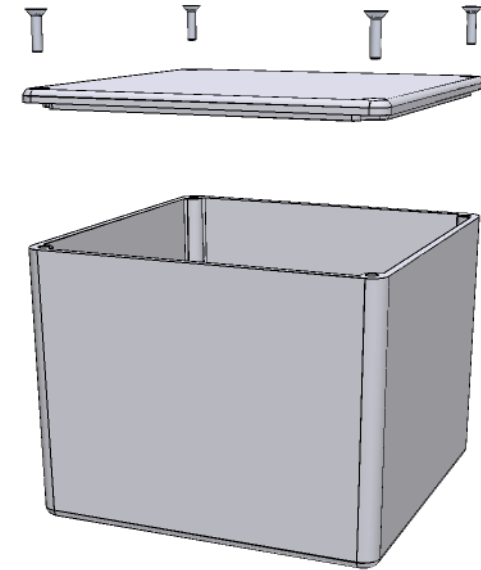
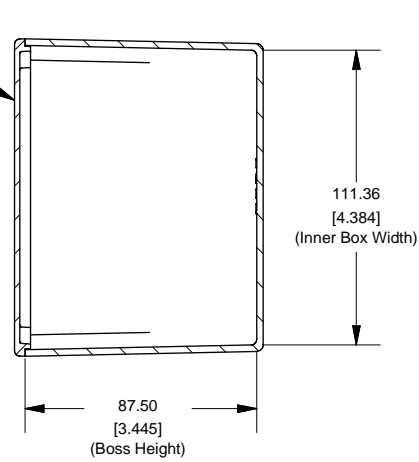
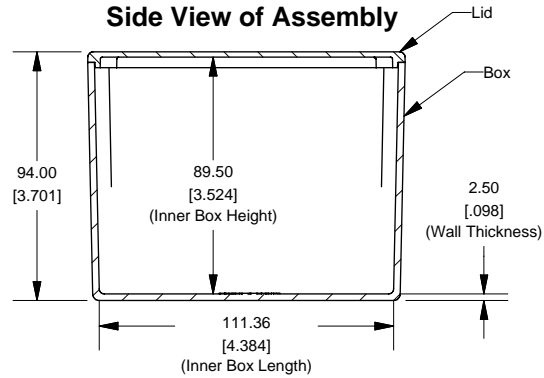


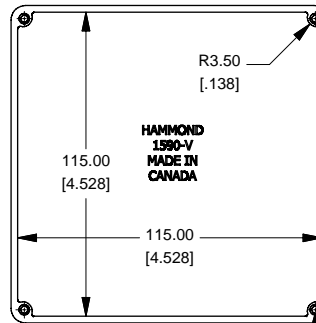
**SECTION A-A
End View of Assembly**



**SECTION B-B
Side View of Assembly**



Top View Looking Inside Box



Enclosures can be Factory Modified (Milling, Drilling, Printing etc.)
Contact Factory mjm@hammondmfg.com for quotes
Solid models of this enclosure available in STEP or IGES.

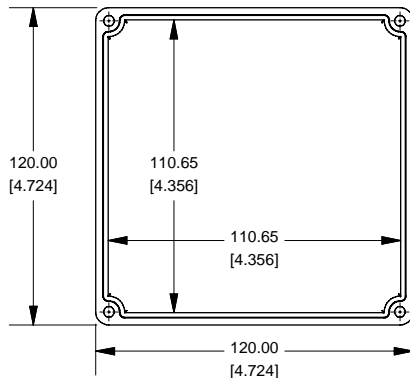
NOTE

Purchased assembly includes box, lid and 4 cover screws.
Box and lid are made from Diecast Aluminum Alloy (alloy type 380).
Silicone Gasket Loctite #5950

PART NUMBERS

1590V Enclosure	
Unfinished	1590V
Grey Textured Polyester Powder Paint - RAL 7038	1590VGY
Black Textured Polyester Powder Paint - RAL 9011	1590VBK
1590V Liquid Resistant Enclosure (Silicon Factory Installed Gasket)	
Unfinished	1590WV
Black Textured Powder Paint	1590WVBK
ACCESSORIES	
Recommended Torque: 75 ozf.in / 55 cN.m	
Black Textured Cover Screws (Pkg 50) [6-32 x 1/2" SS Type 304]	1590WMS100BK
Unfinished Cover Screws (Pkg 100) [6-32 x 1/2" Nickel Plated Screws]	1590WMS100
Standard Cover Screws	
Unfinished Cover Screws (Pkg 100) [6-32 x 1/2" Nickel Plated Screws]	1590MS100
Black Textured Cover Screws (Pkg 50) [6-32 x 1/2" SS Type 304]	1590MS100BK

Lid



6-32 UNC - 2B
□ $\varnothing 4.00 \nabla 3.00$
(Threaded Holes)

